

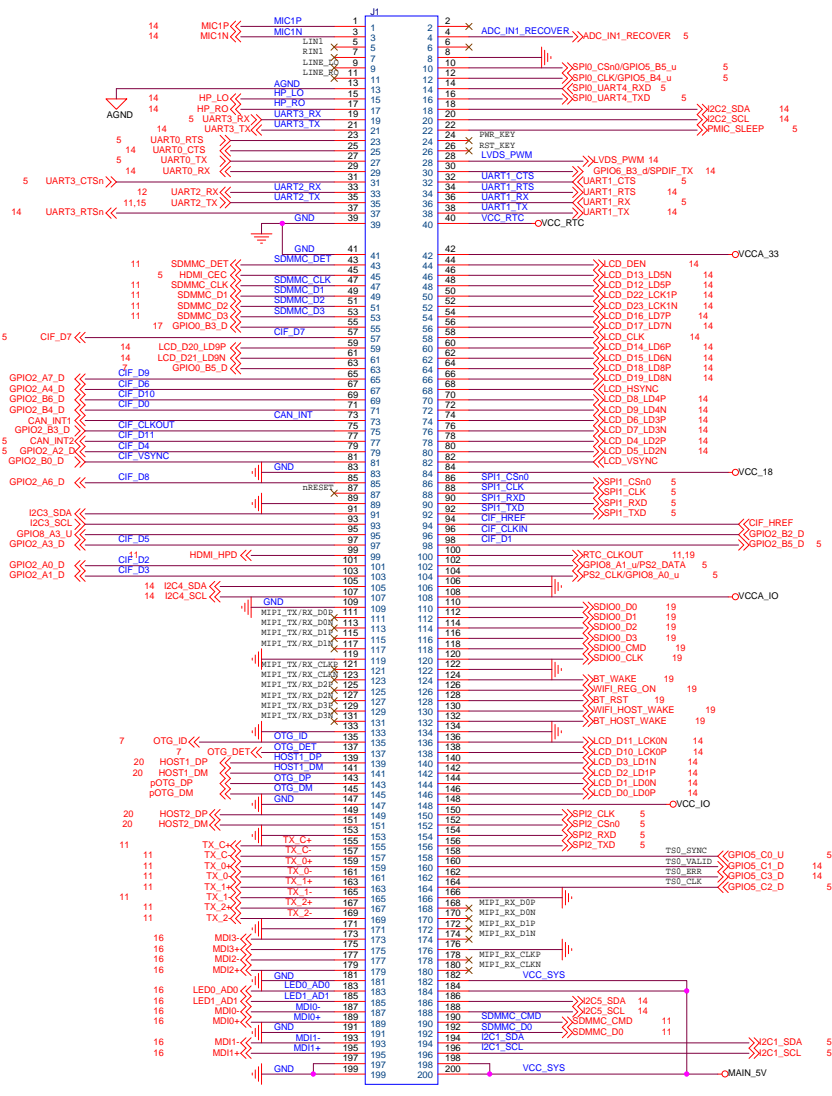
URVEBOARD

A18 PRO

Revision 2

See Revision History sheet for version

	Title			
	Size	Document Number	Drawn	Rev
	A	A18Pro	<i>GUI</i>	2
Date:	Friday, April 12, 2019	Sheet	1 of 10	

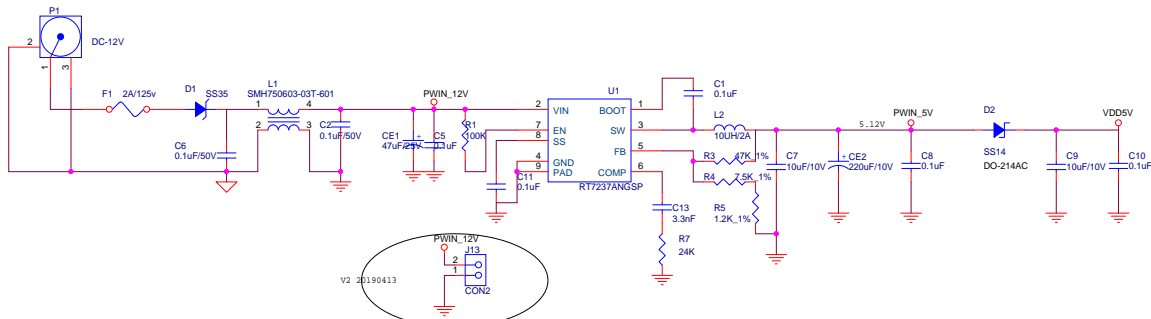


Note:

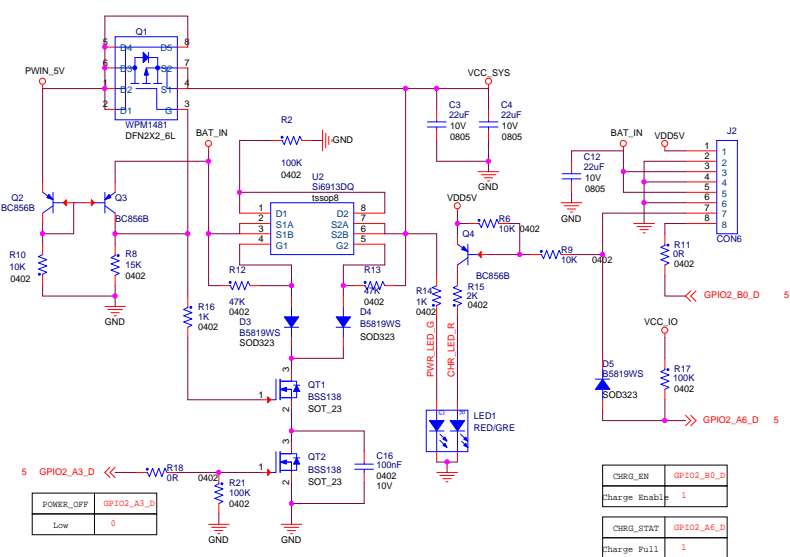
- Blue PINOUTS is compatible for Toradex T20 coreboard.
- The ADC IN only input 1.8V max. ADCIN1 is already pull high 1.8V as 10K.
- If VCC_SYS input 5V. R223/R224/R225/R227 can be soldered to supply for peripheral.

File Connectors			
Size C	Document Number A18Pro	Drawn GW	Rev 2
Date: Friday, April 12, 2019	Sheet 2		of 10

POWER IN



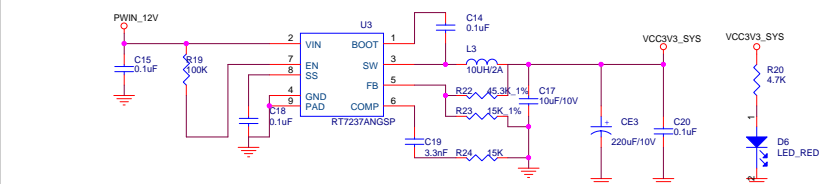
LI_BAT



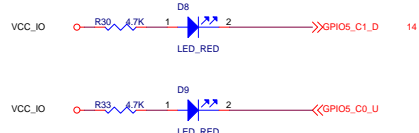
CHRG_EN	GPIO2_B0_D
Charge Enabl	1
CHRG_STAT	GPIO2_A6_D
Charge Full	1

POWER_OFF	GPIO2_A3_D
Low	0

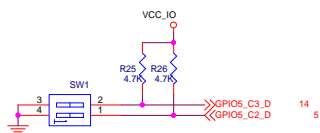
MAIN 3.3V



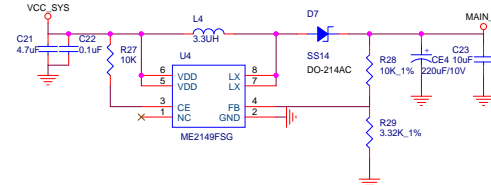
LED



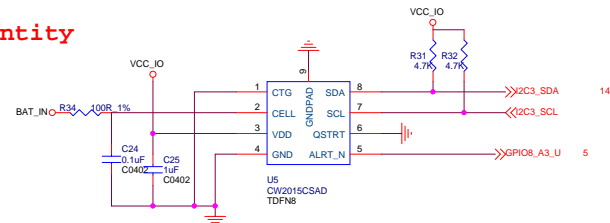
SW



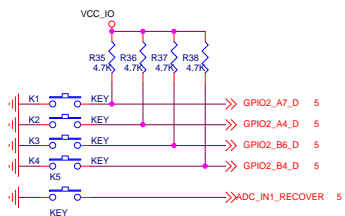
MAIN 5V



Electric quantity



KEY



RTC

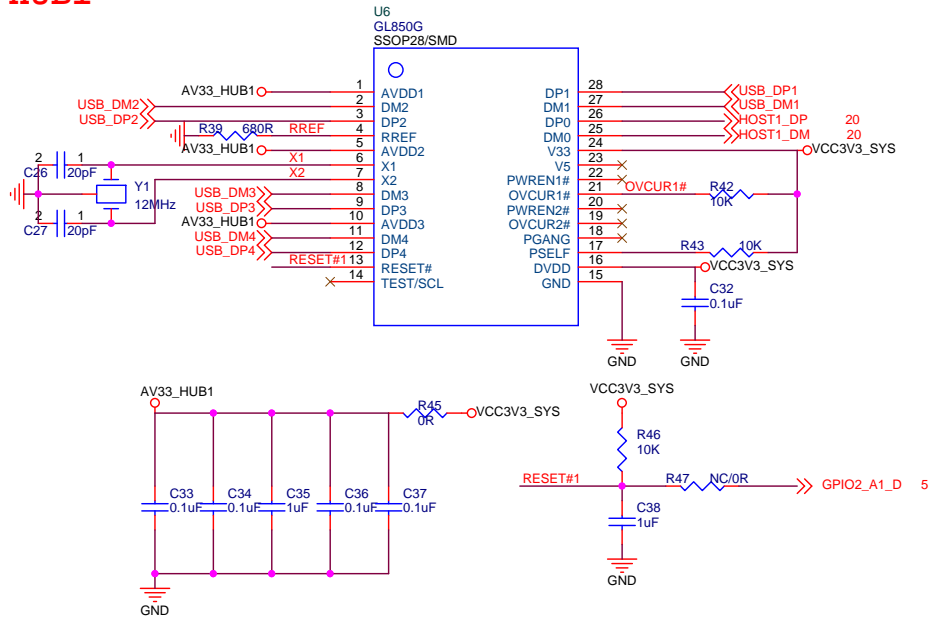


Hole

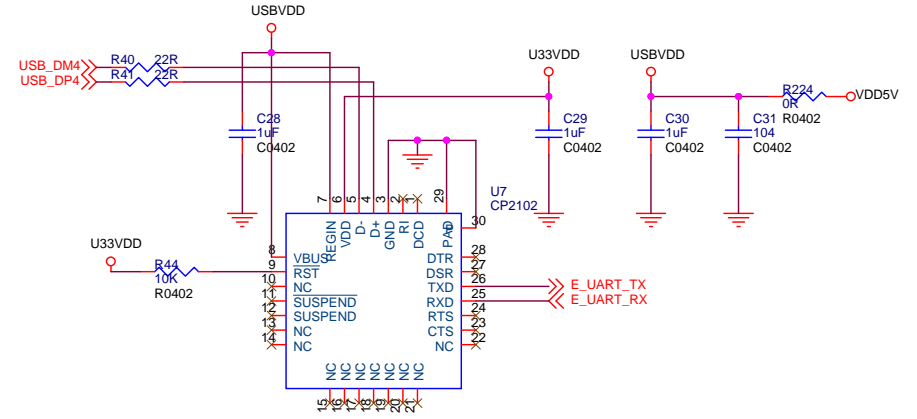


file POWERKEY			
Size	Document Number	Drawn	Rev
C	A18Pro	GW	2
Date:	Saturday, April 13, 2019	Sheet	3 of 10

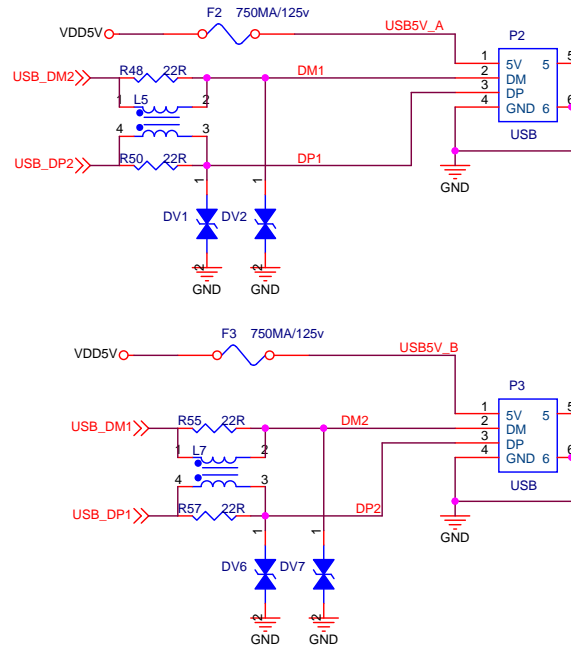
HUB1



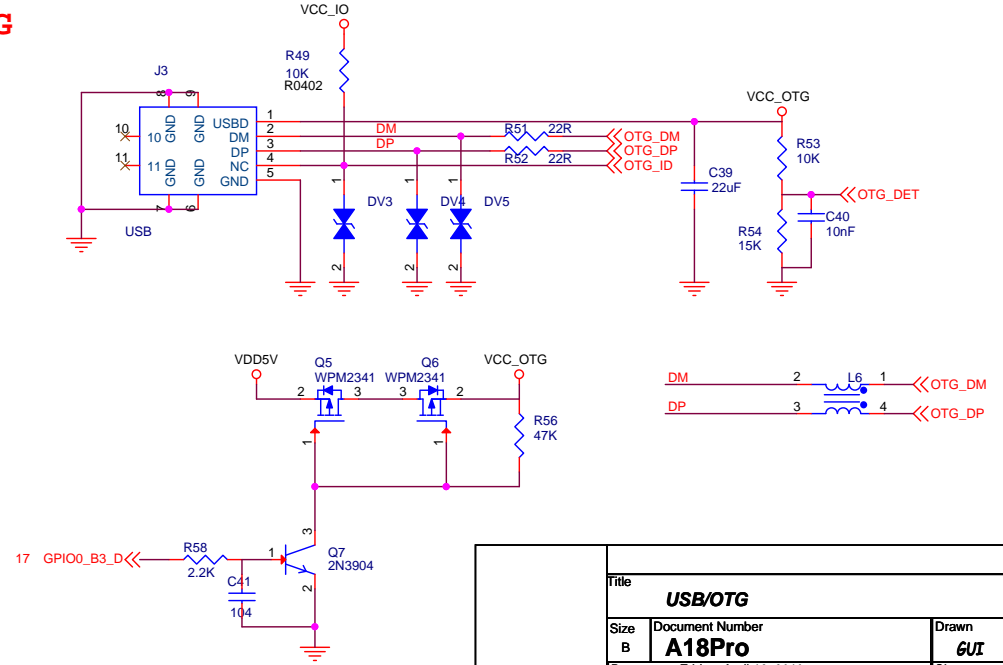
USB TO UART



USB

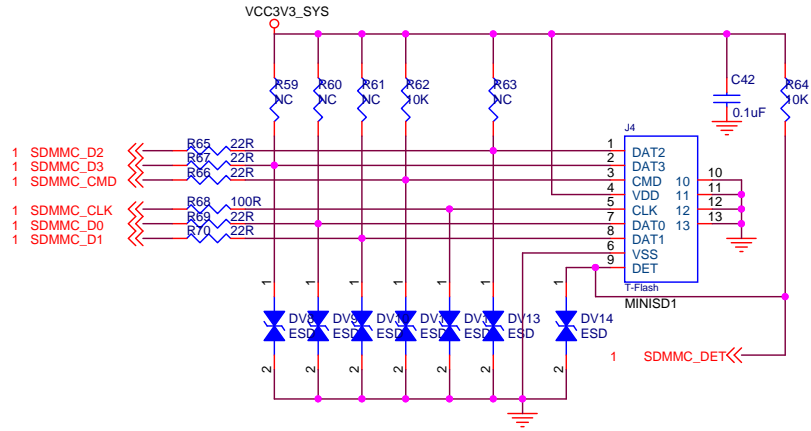


OTG

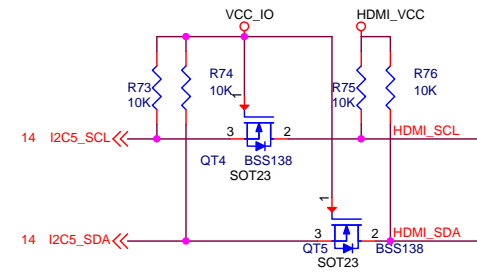
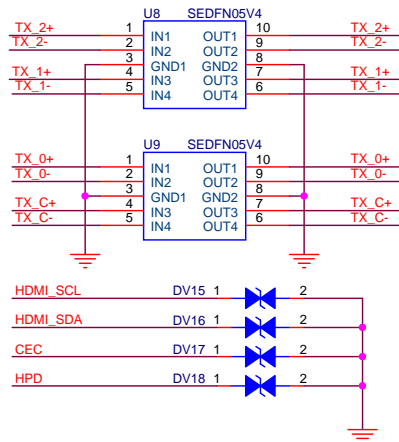
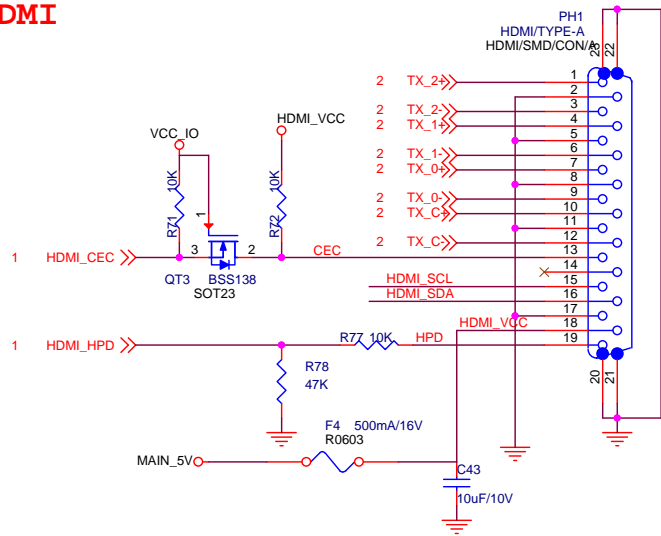


Title			
Size	Document Number	Drawn	Rev
B	A18Pro	6UI	2
Date:	Friday, April 12, 2019	Sheet	4 of 10

Micro SD



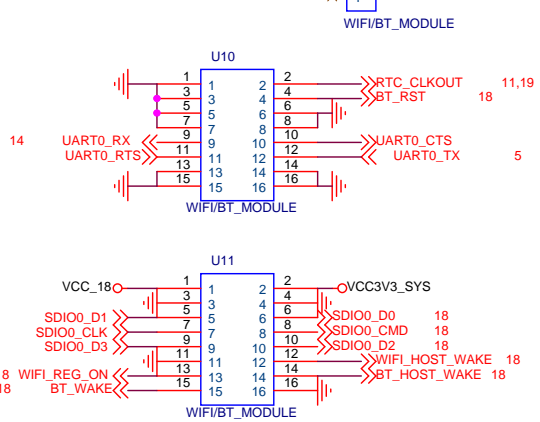
HDMI



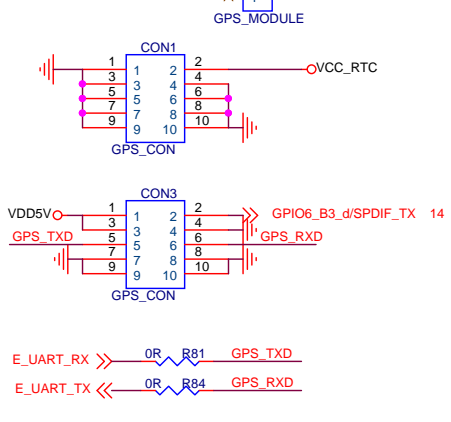
I2C Level Shift

Title			
SD/HDMI			
Size	Document Number	Drawn	Rev
B	A18Pro	GUI	2
Date:	Friday, April 12, 2019	Sheet	5 of 10

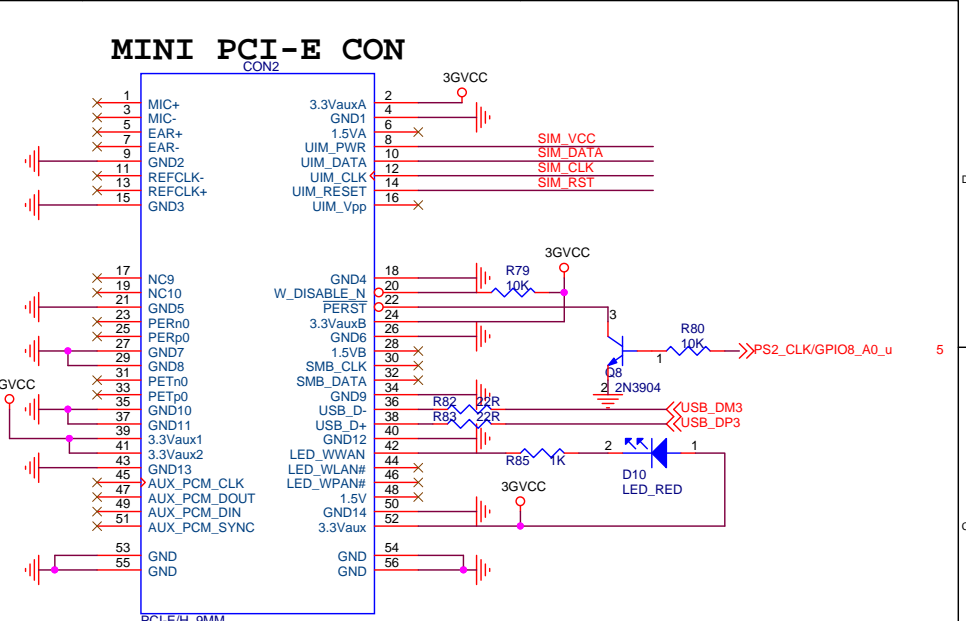
WIFI/BT MODULE



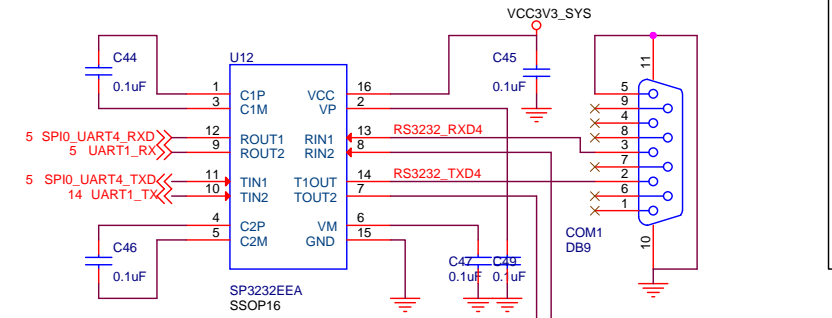
GPS MODULE



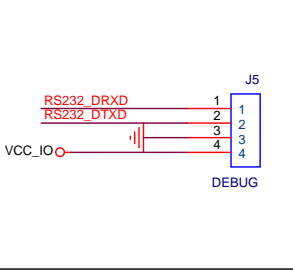
3G



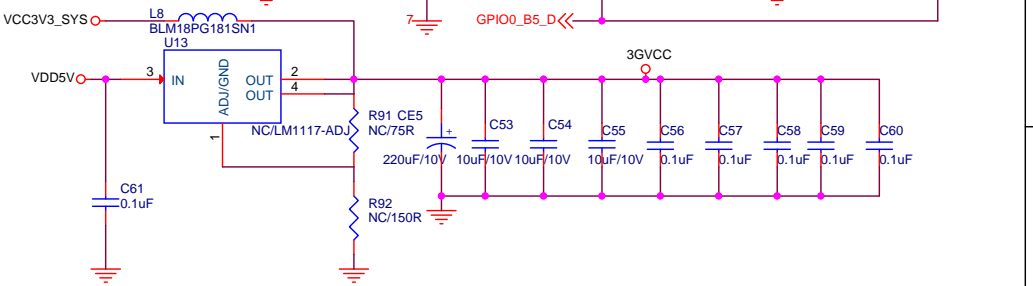
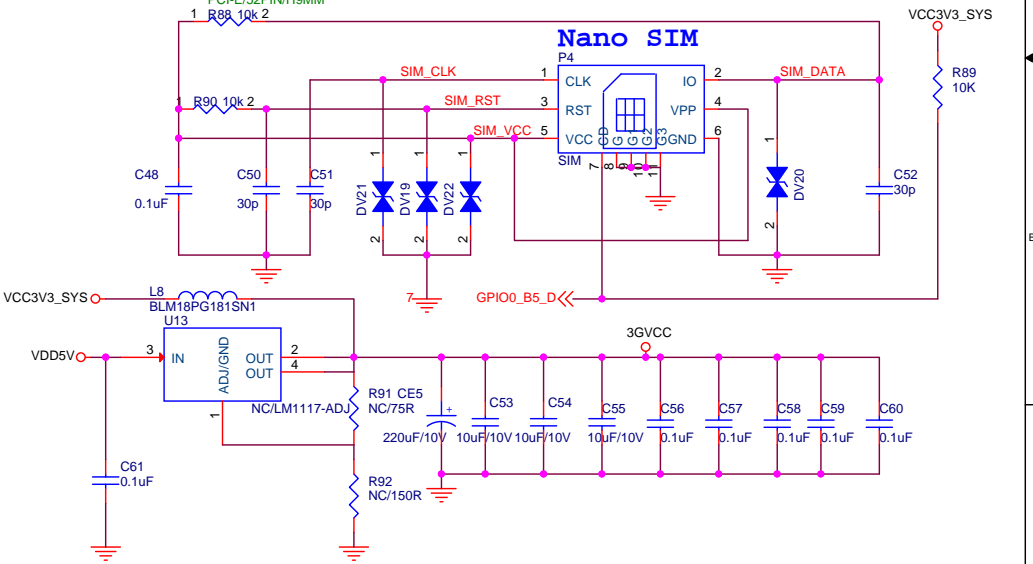
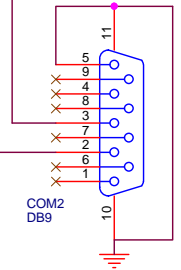
UART



DEBUG

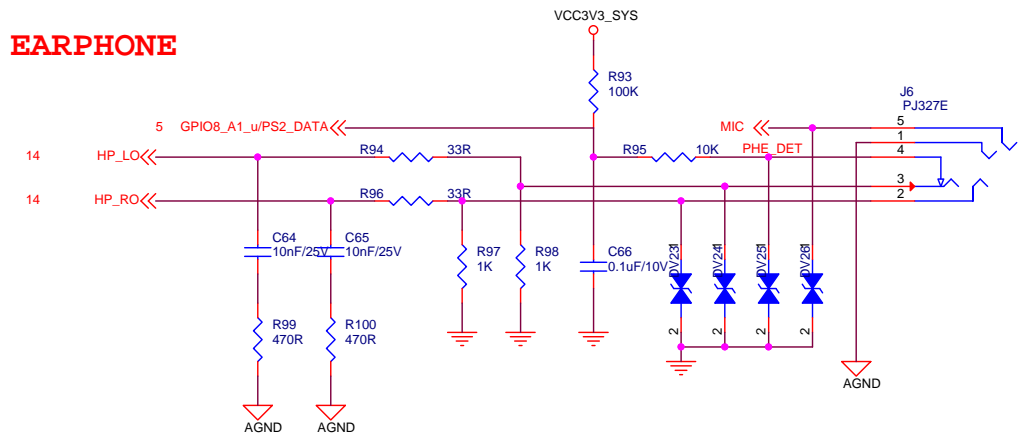


RS232 UART

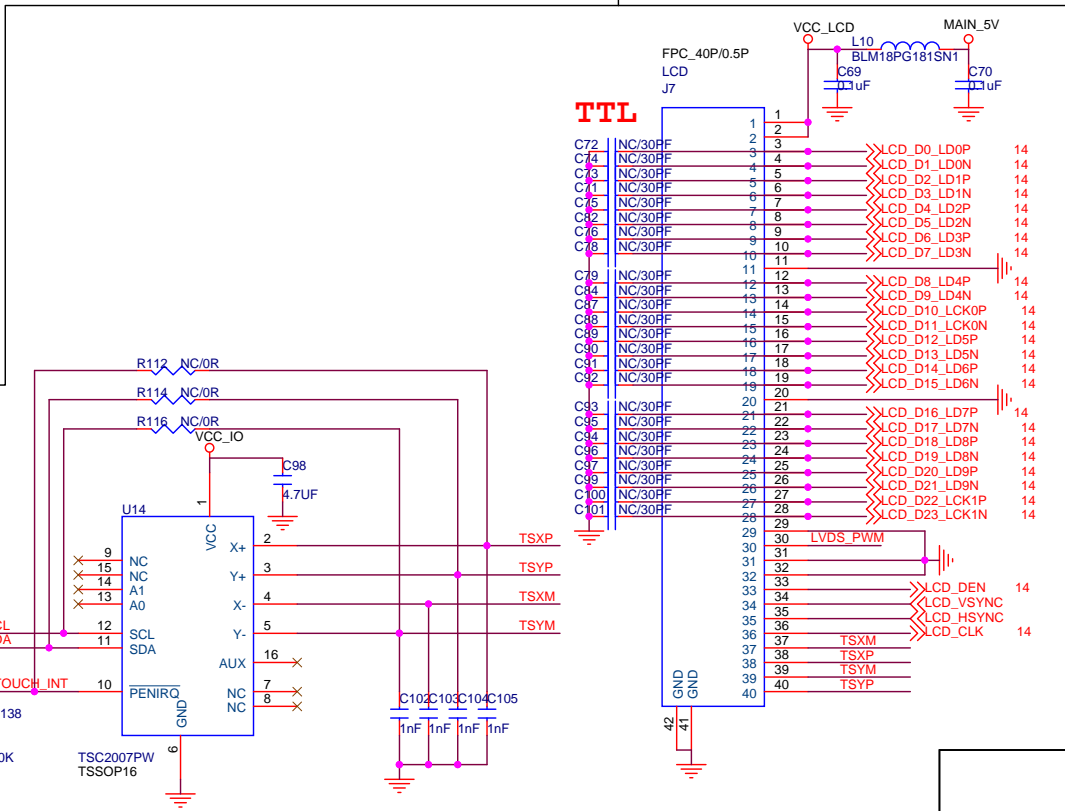
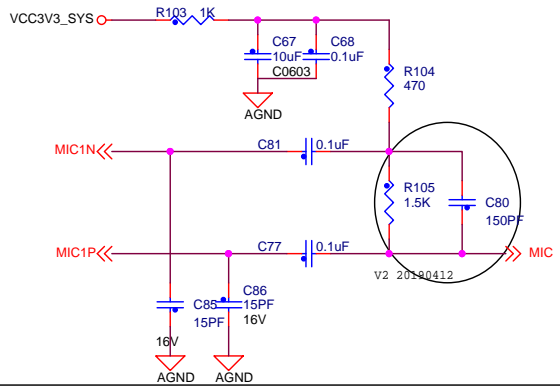
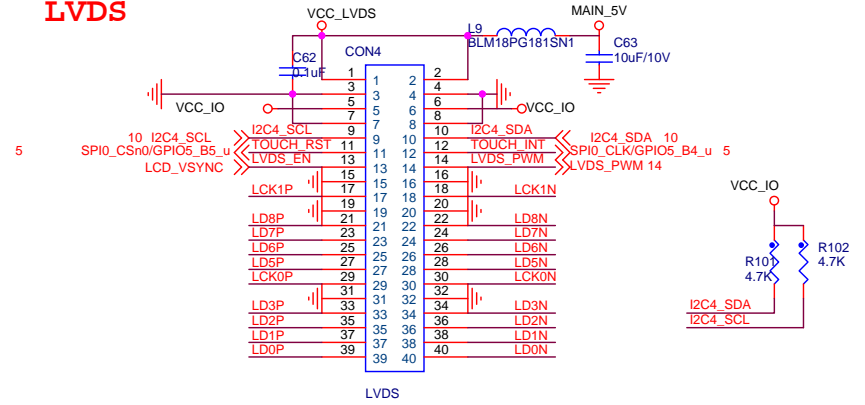


Title			
GPS/WIFI&BT/UART/3G			
Size	Document Number	Drawn	Rev
B	A18Pro	6UI	2
Date:	Saturday, April 13, 2019	Sheet	6 of 10

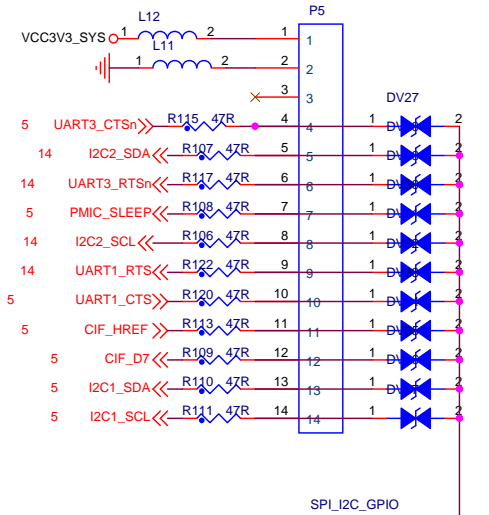
EARPHONE



LVDS



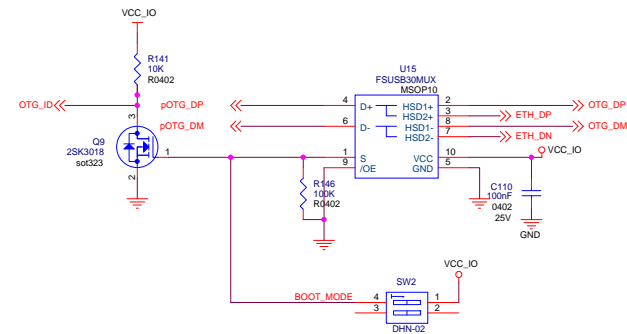
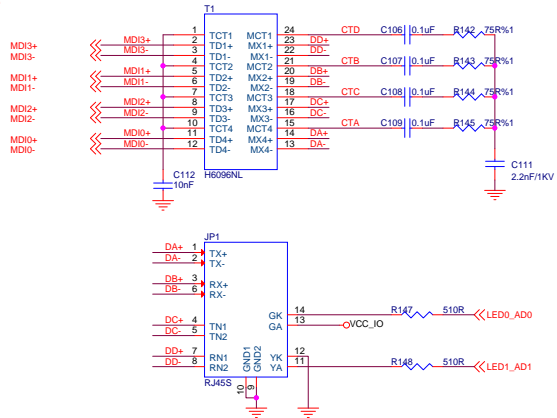
GPIO



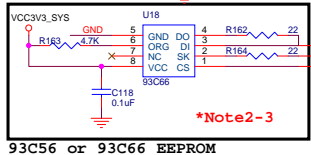
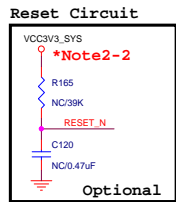
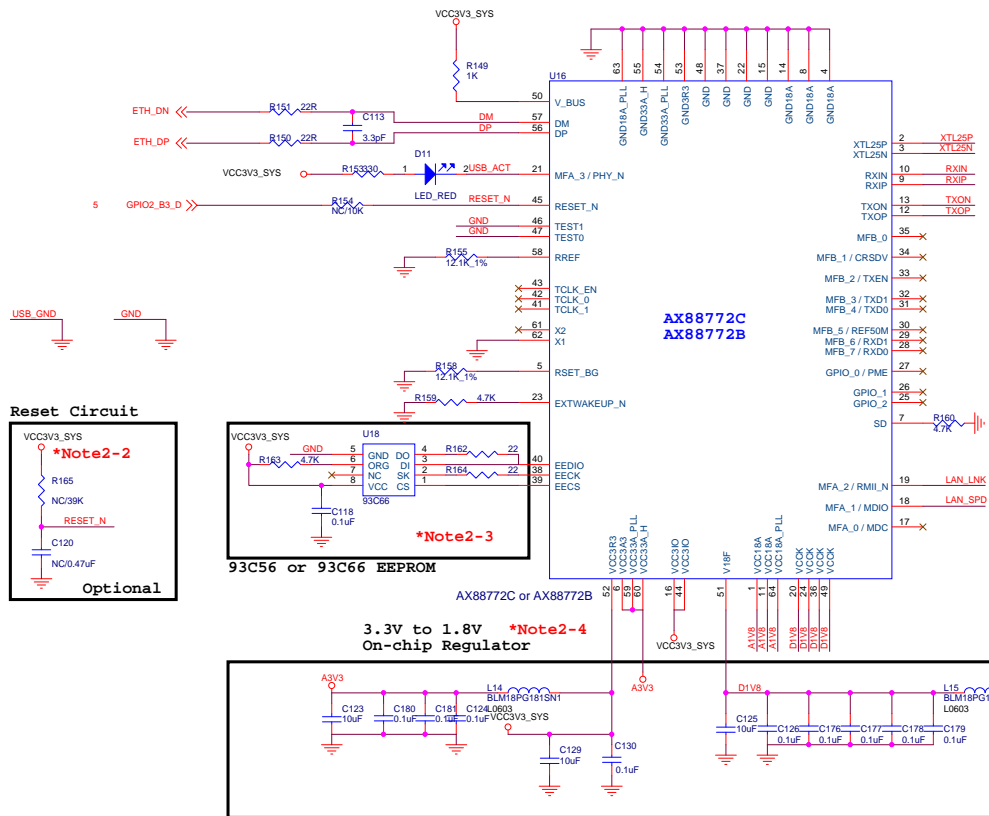
Title			
ADUIO/LVDS&TTL/GPIO			
Size	Document Number	Drawn	Rev
B	A18Pro	6UI	2
Date:	Saturday, April 13, 2019	Sheet	7 of 10

ETHERNET 10/100/1000M

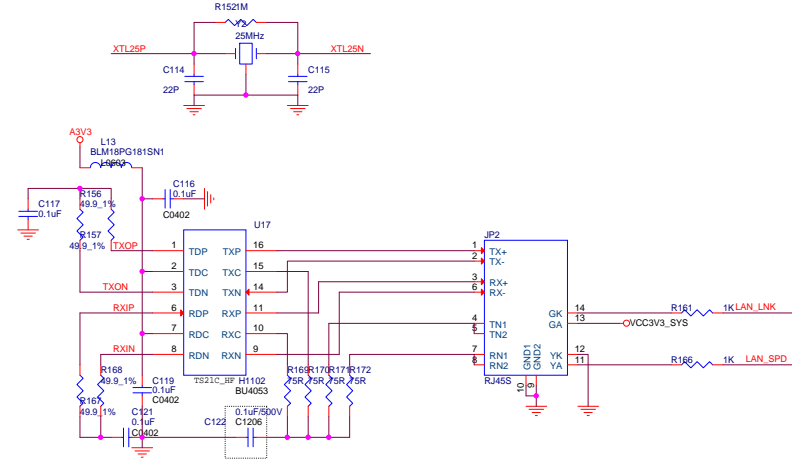
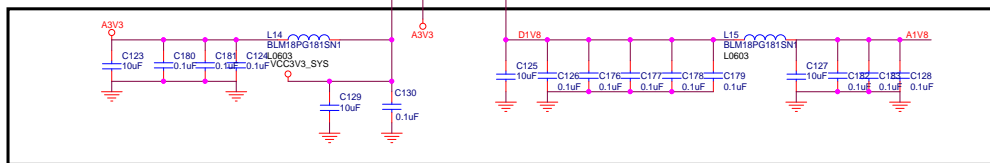
ETH



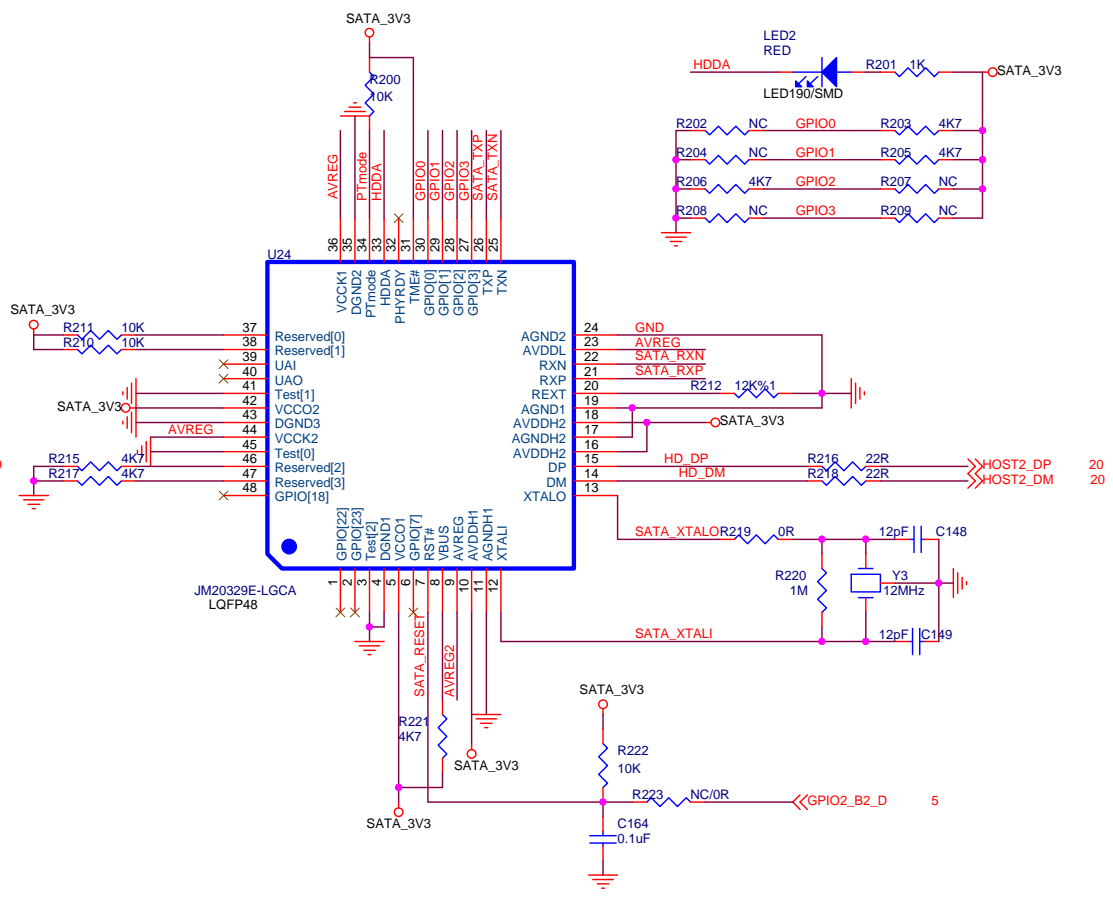
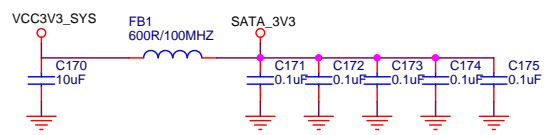
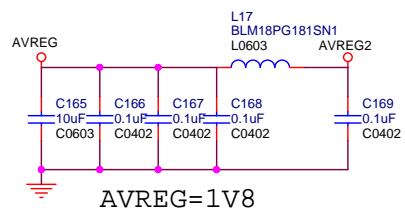
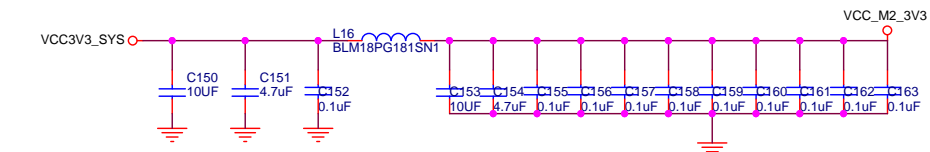
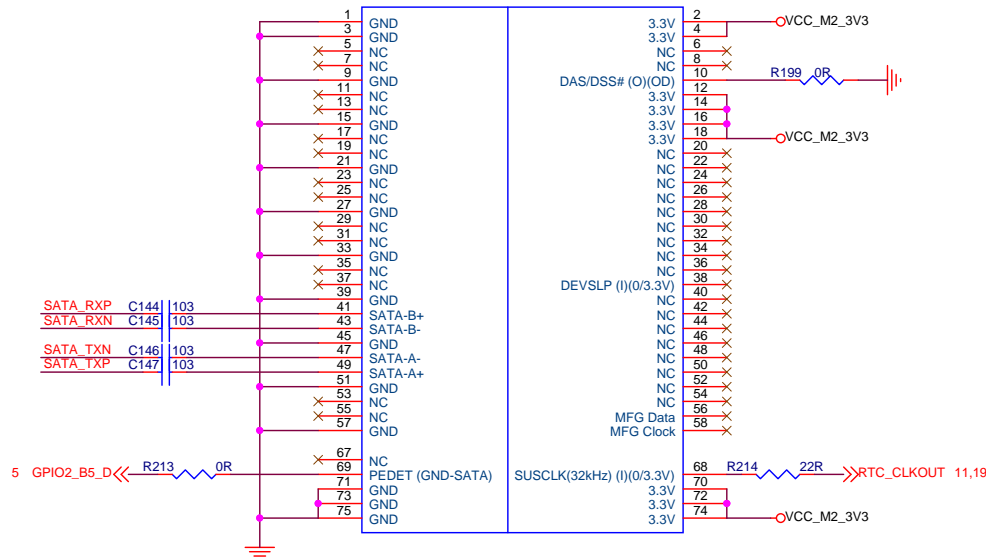
ETHERNET 10/100M



3.3V to 1.8V On-chip Regulator

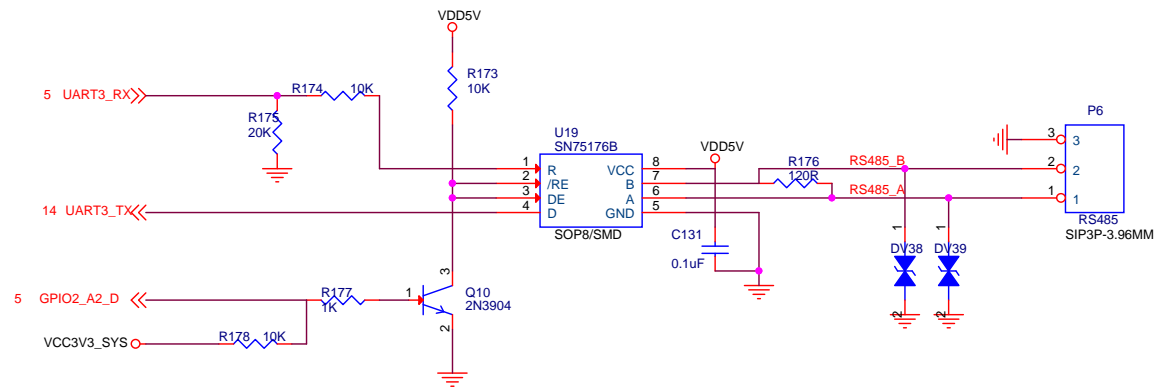


File	ETH		
Size	Document Number	Drawn	Rev
C	A18Pro	GW	2
Date:	Friday, April 12, 2018	Sheet	8 of 10

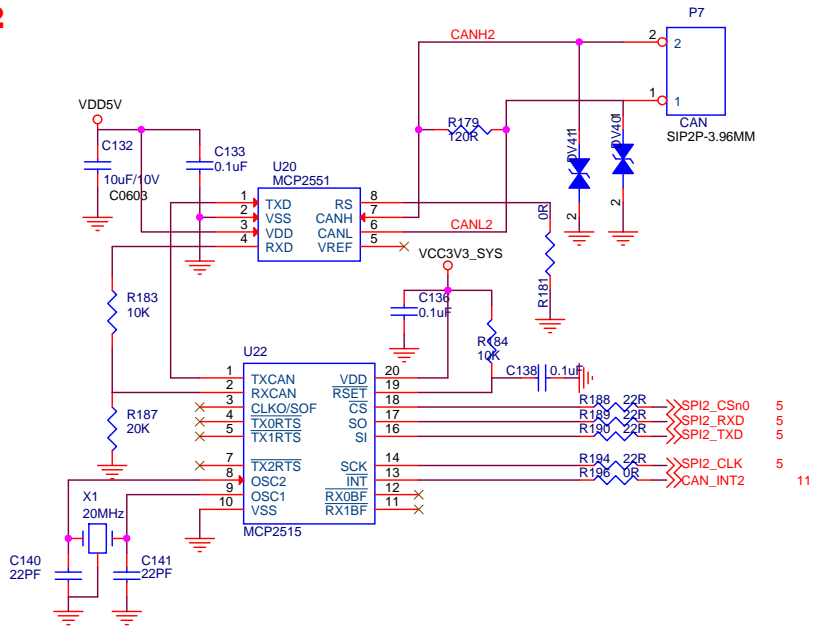


Title			
M.2 SATA			
Size	Document Number	Drawn	Rev
B	A18Pro	6UI	2
Date:	Friday, April 12, 2019	Sheet	9 of 10

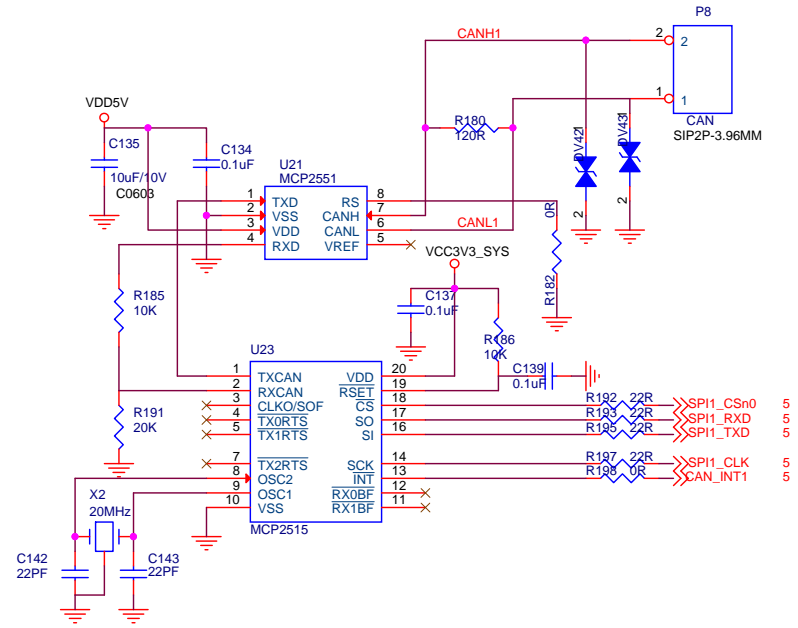
RS485



CAN2



CAN1



Title			
CAN/RS485			
Size	Document Number	Drawn	Rev
B	A18Pro	6UI	2
Date:	Friday, April 12, 2019	Sheet	9 of 10