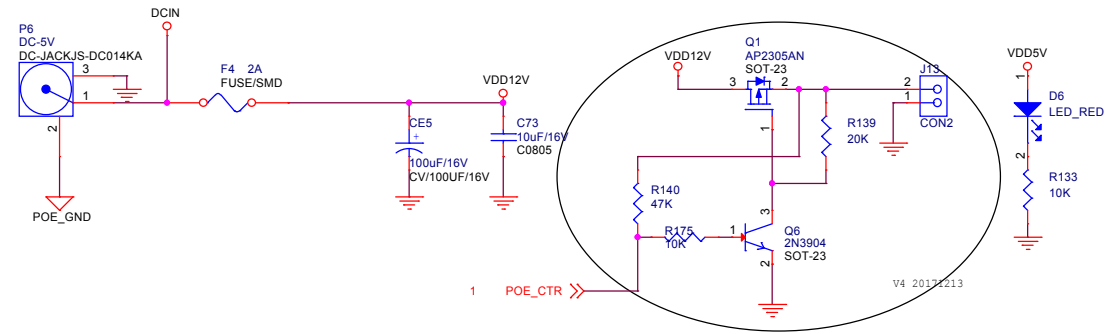
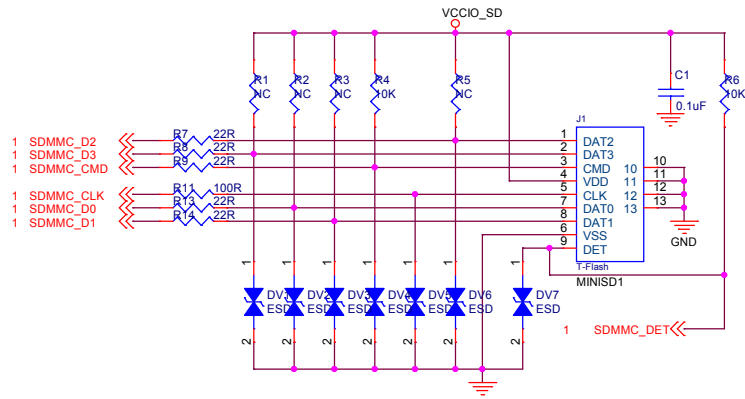


Table of Contents	
2	Power/Micro SD/KEY
3	LVDS LCD
4	HDMI OUT
5	Ethernet with POE+
6	USB Hub/OTG
7	AP6210-WIFI/BT
8	UART/GPIO/LED Driver
9	B2B Connector
10	
11	
12	
13	
14	
15	
16	
17	
18	
19	
20	
21	
22	

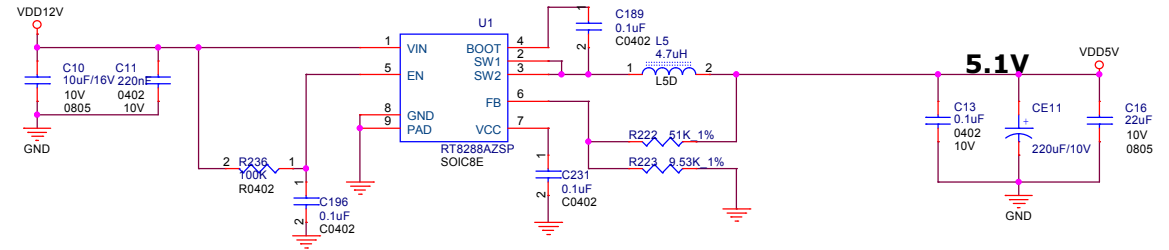
URVEBoard A17

Micro SD



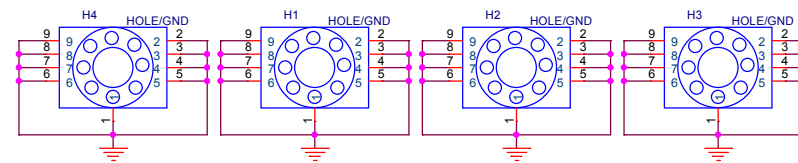
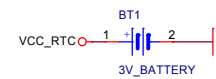
5V/4A Max out

Main Power



$$V_{out} = 0.808 * (1 + R222/R223)$$

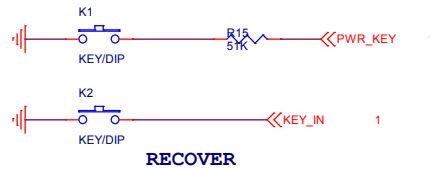
RTC Power



Hole



KEY

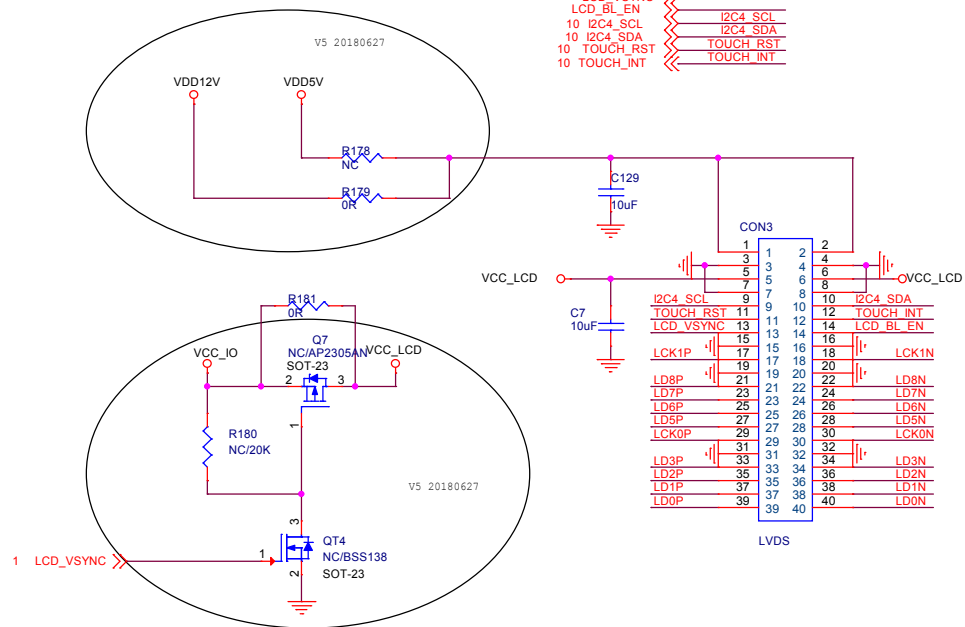


RECOVER

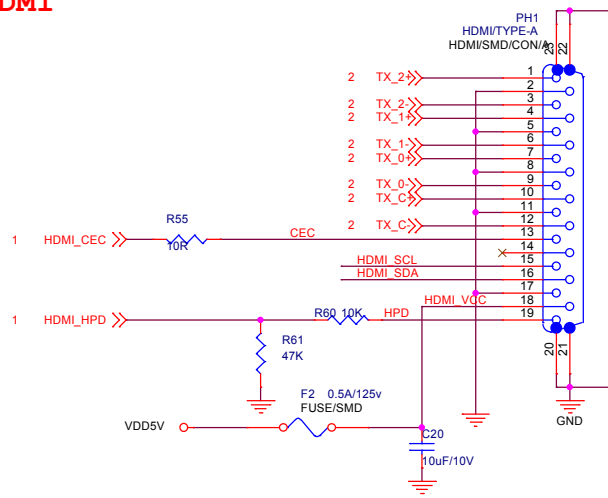
LVDS

LD0P	→	XLCD_D0_LD0P	14
LD0N	→	XLCD_D1_LD0N	14
LD1P	→	XLCD_D2_LD1P	14
LD1N	→	XLCD_D3_LD1N	14
LD2P	→	XLCD_D4_LD2P	14
LD2N	→	XLCD_D5_LD2N	14
LD3P	→	XLCD_D6_LD3P	14
LD3N	→	XLCD_D7_LD3N	14
LCK0P	→	XLCD_D10_LCK0P	14
LCK0N	→	XLCD_D11_LCK0N	14
LD5P	→	XLCD_D12_LD5P	14
LD5N	→	XLCD_D13_LD5N	14
LD6P	→	XLCD_D14_LD6P	14
LD6N	→	XLCD_D15_LD6N	14
LD7P	→	XLCD_D16_LD7P	14
LD7N	→	XLCD_D17_LD7N	14
LD8P	→	XLCD_D18_LD8P	14
LD8N	→	XLCD_D19_LD8N	14
LCK1P	→	XLCD_D22_LCK1P	14
LCK1N	→	XLCD_D23_LCK1N	14

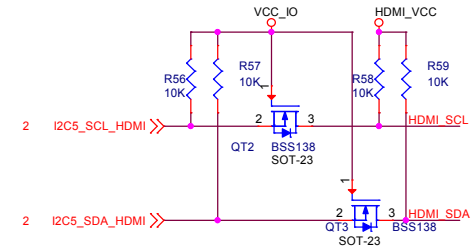
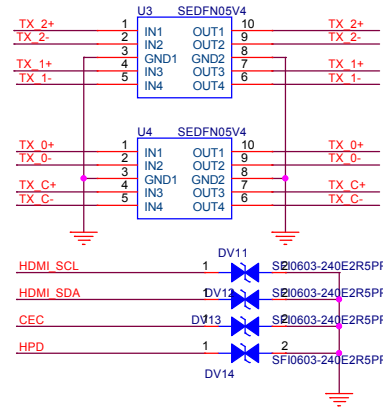
LCD_VSYNC	→	
LCD_BL_EN	→	
10 I2C4_SCL	→	I2C4_SCL
10 I2C4_SDA	→	I2C4_SDA
10 TOUCH_RST	→	TOUCH_RST
10 TOUCH_INT	→	TOUCH_INT



HDMI

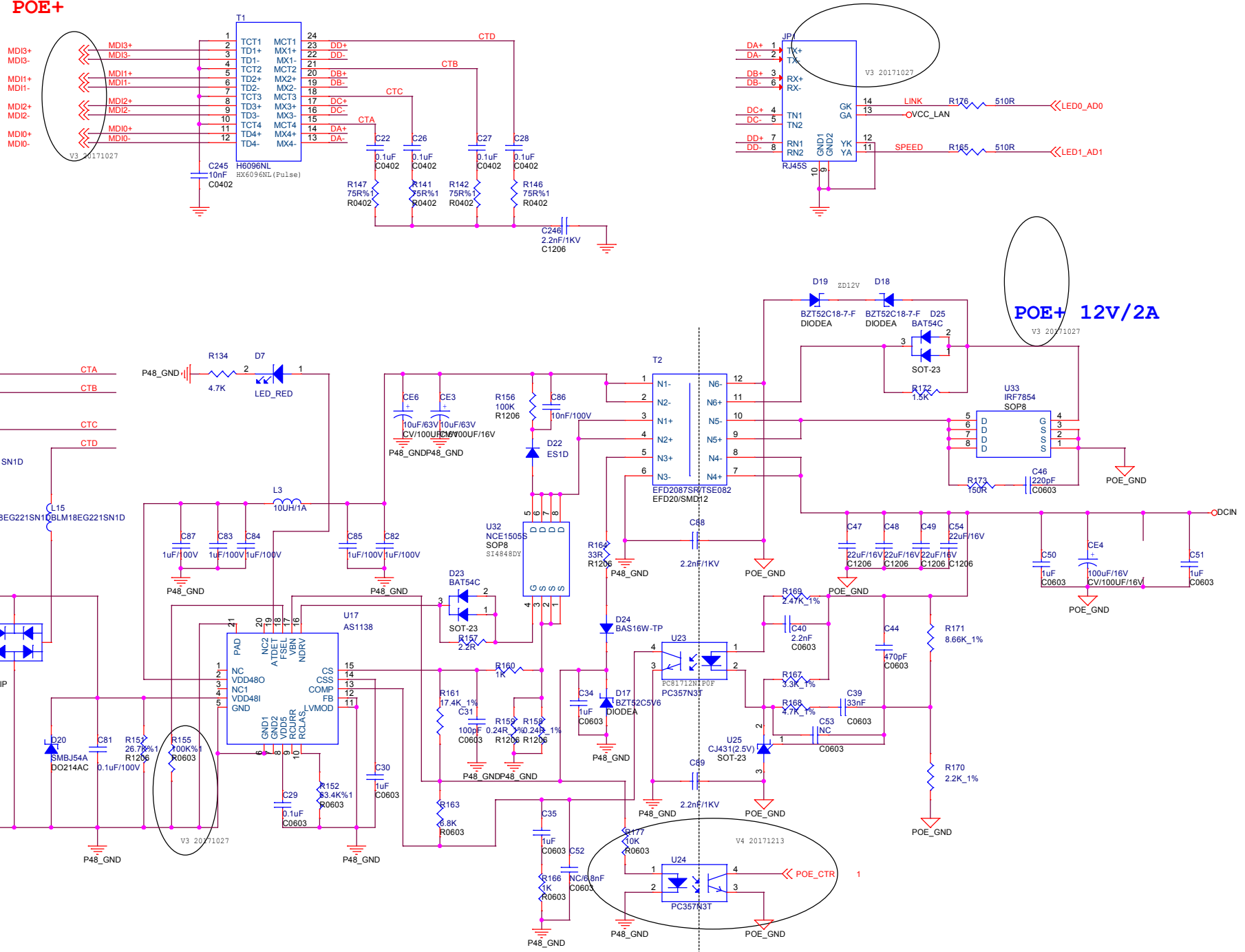


HDMI OUTPUT

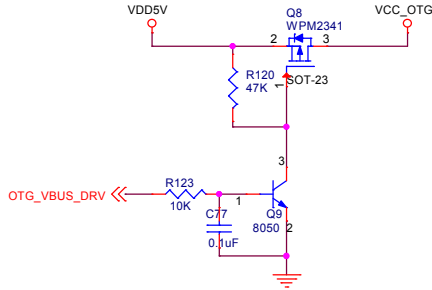
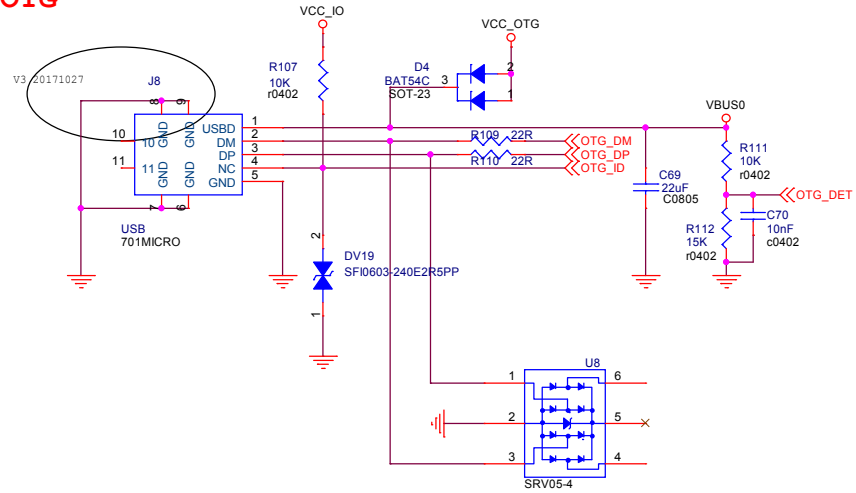


I2C Level Shift

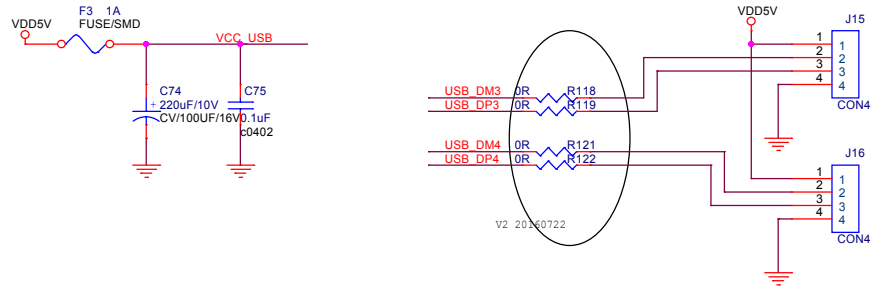
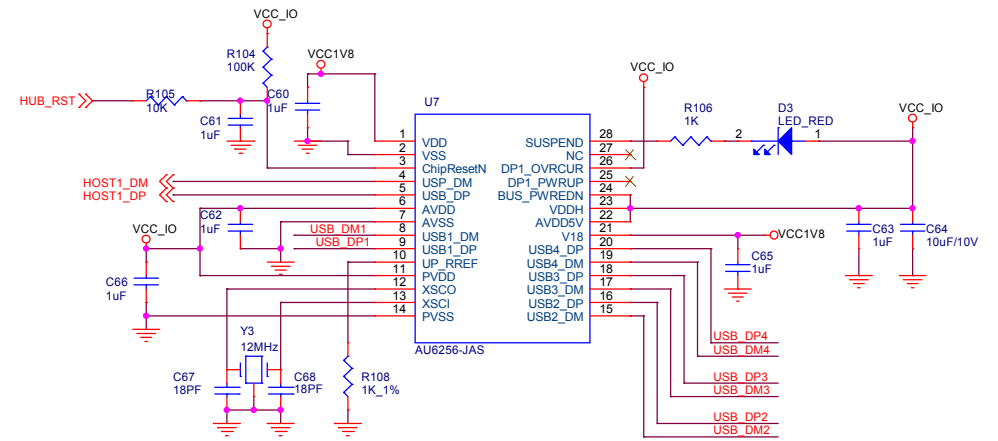
ETHERNET & POE+



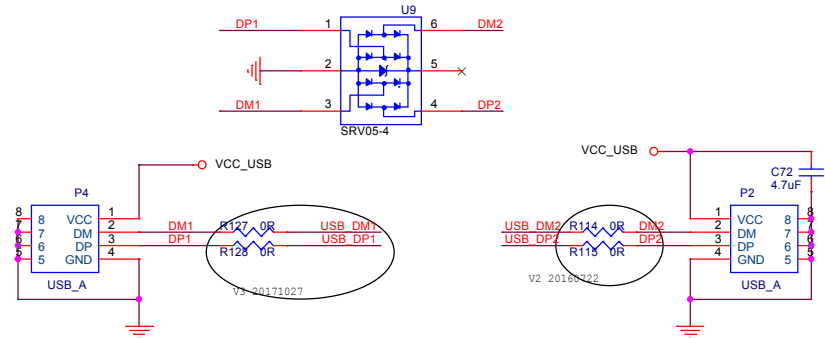
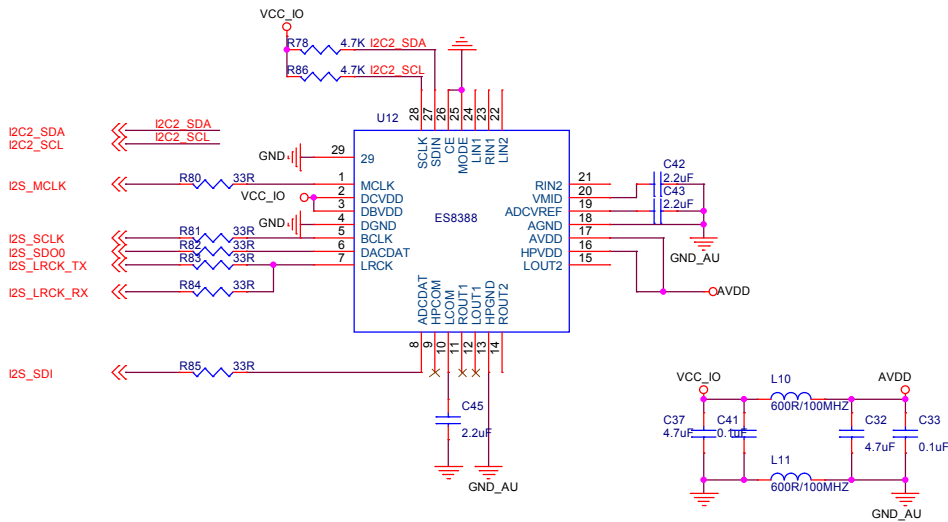
OTG



HUB

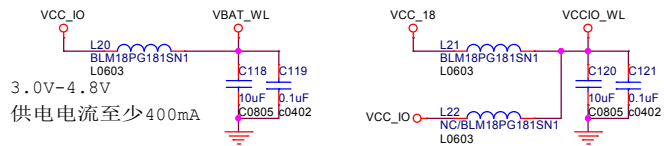
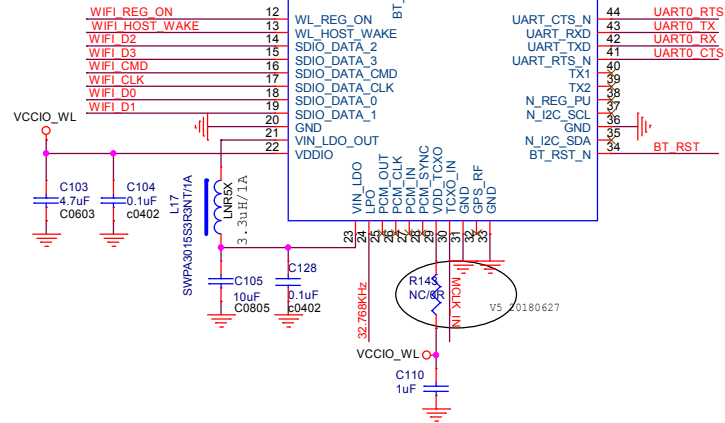
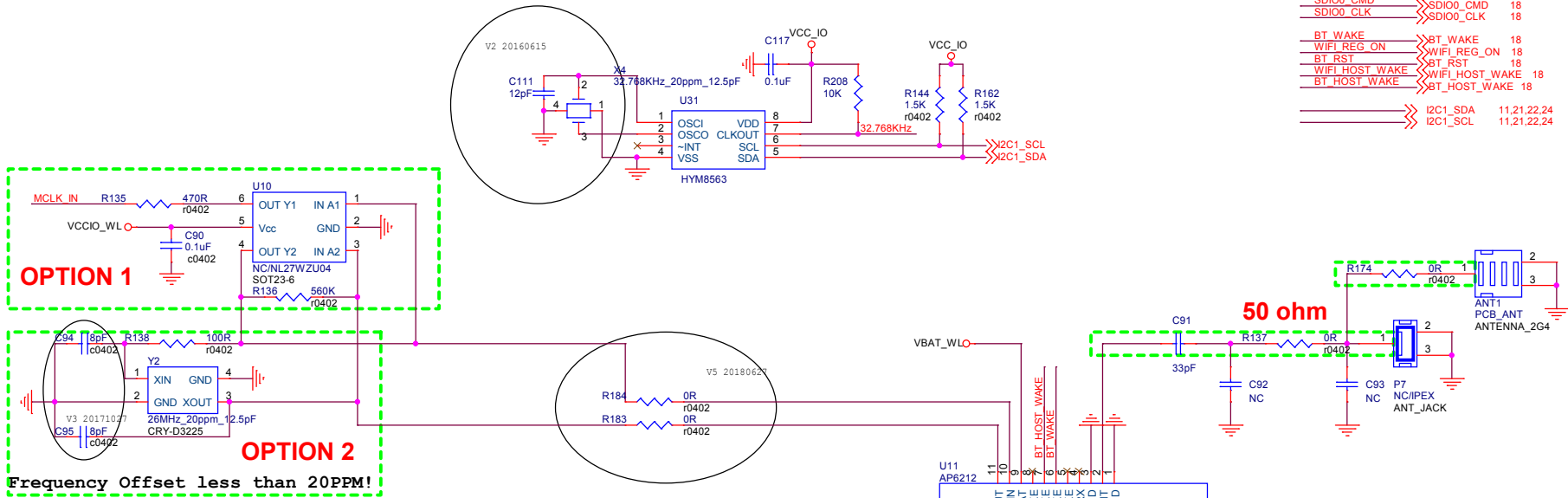


Audio Codec

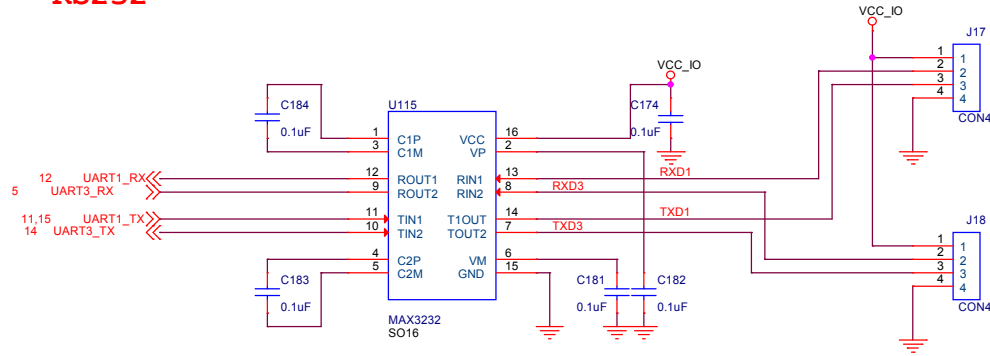


WIFI/BT

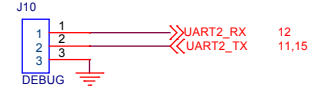
UART0_RX	UART0_RX	18
UART0_TX	UART0_TX	18
UART0_CTS	UART0_CTS	18
UART0_RTS	UART0_RTS	18
SDIO0_D0	SDIO0_D0	18
SDIO0_D1	SDIO0_D1	18
SDIO0_D2	SDIO0_D2	18
SDIO0_D3	SDIO0_D3	18
SDIO0_CMD	SDIO0_CMD	18
SDIO0_CLK	SDIO0_CLK	18
BT_WAKE	BT_WAKE	18
WIFI_REG_ON	WIFI_REG_ON	18
BT_RST	BT_RST	18
WIFI_HOST_WAKE	WIFI_HOST_WAKE	18
BT_HOST_WAKE	BT_HOST_WAKE	18
I2C1_SDA	I2C1_SDA	11,21,22,24
I2C1_SCL	I2C1_SCL	11,21,22,24



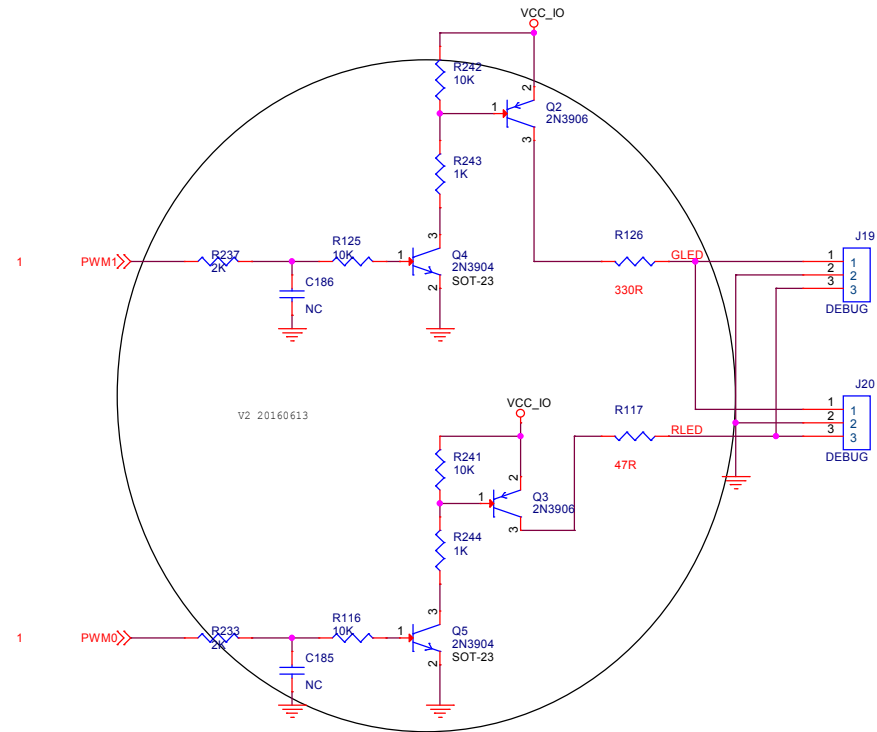
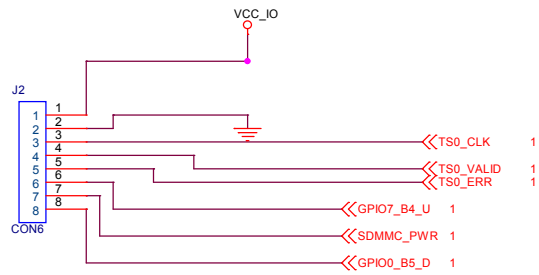
RS232

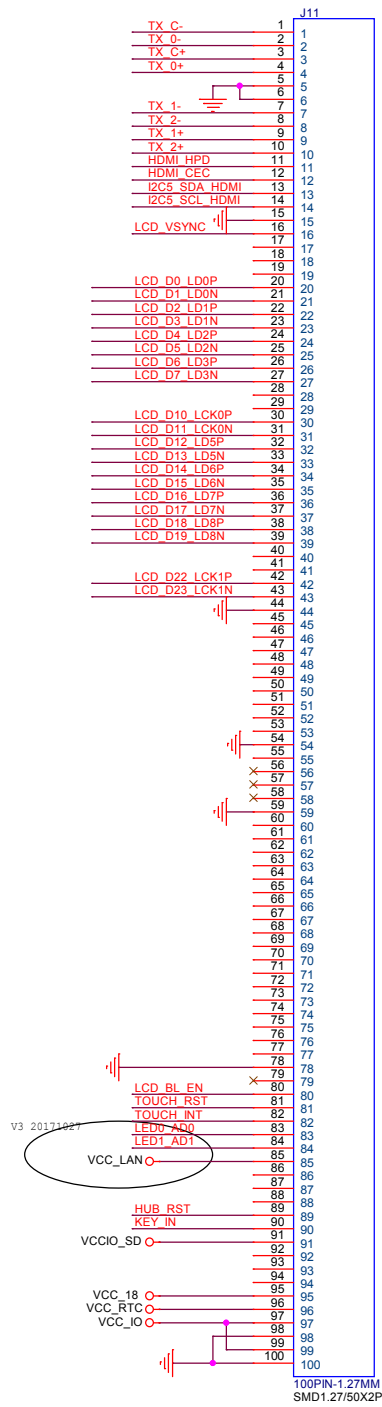


DEBUG

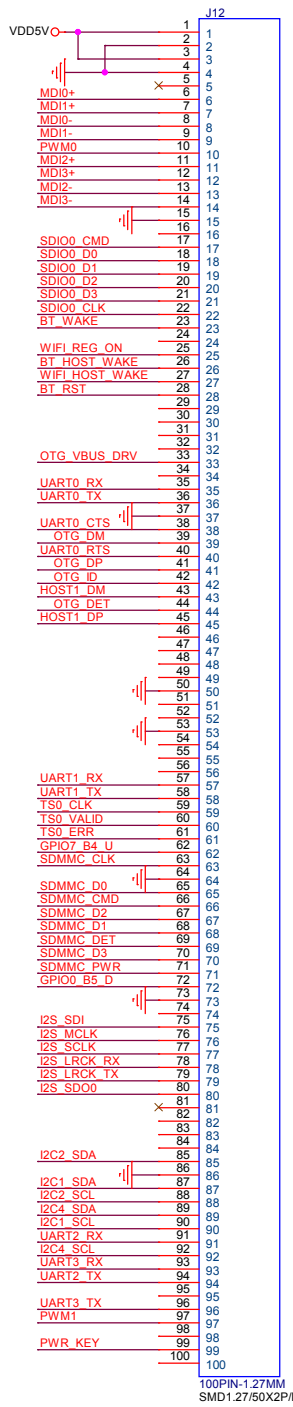


GPIO





100PIN-1.27MM
SMD1.27/50X2P/M



100PIN-1.27MM
SMD1.27/50X2P/M

